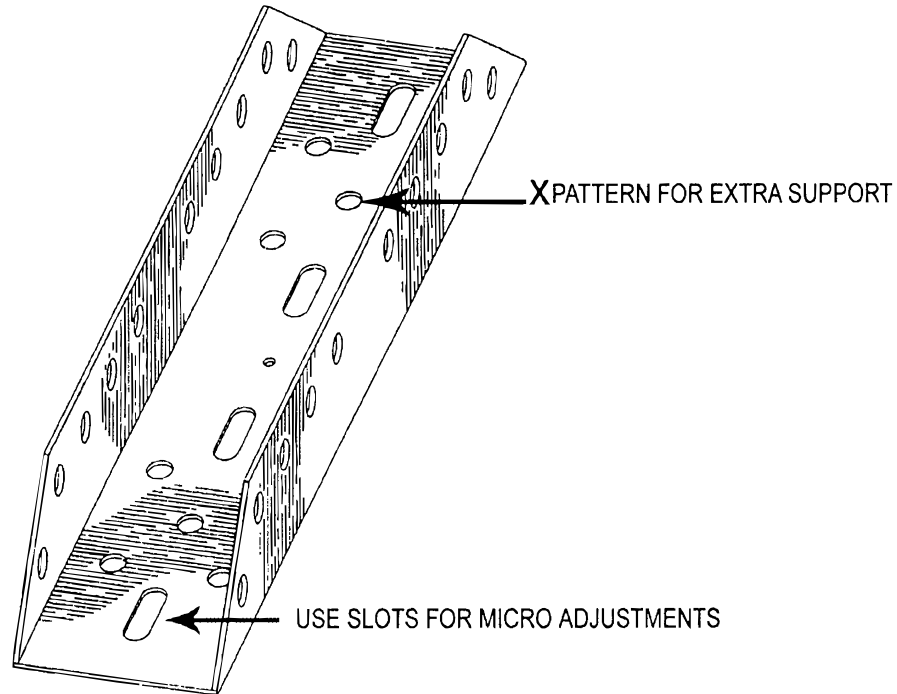
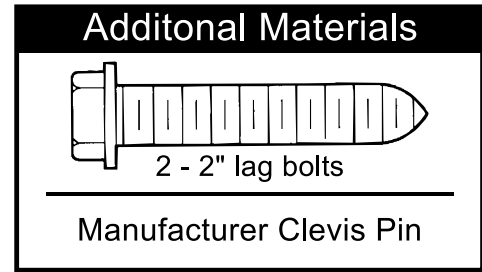
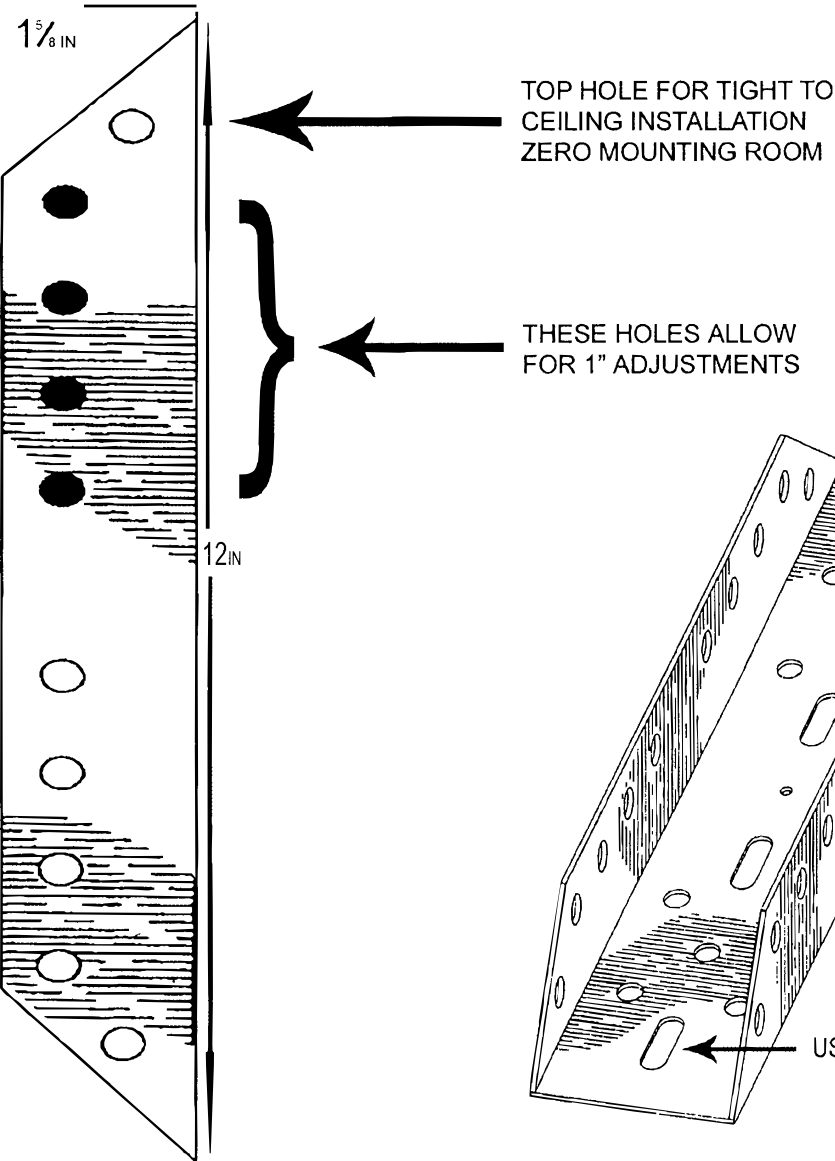


the done bracket

(I'm Done)



The Done Bracket eliminates the need for unsightly 2x4's and angle iron.

The Done Bracket replaces manufacturer header brackets when:

- there is a 12" header, 15" track
- no mounting block behind the drywall
- rafter mounting - 6" minimum for lag bolts
- ceiling mounting

For use with Liftmaster Professional T-Rail Garage Door Openers.

PAT# US D552,947 S

Made in the U.S.A